

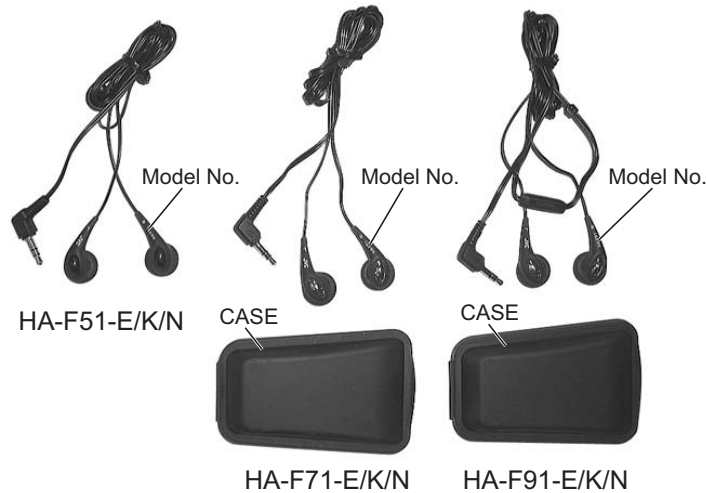


# SERVICE MANUAL

## STEREO MINI-HEADPHONES

# HA-F51-E/K/N HA-F71-E/K/N HA-F91-E/K/N

The "Product Exchanges System" is applicable to this product.  
 For limited spare parts, refer to the parts list.

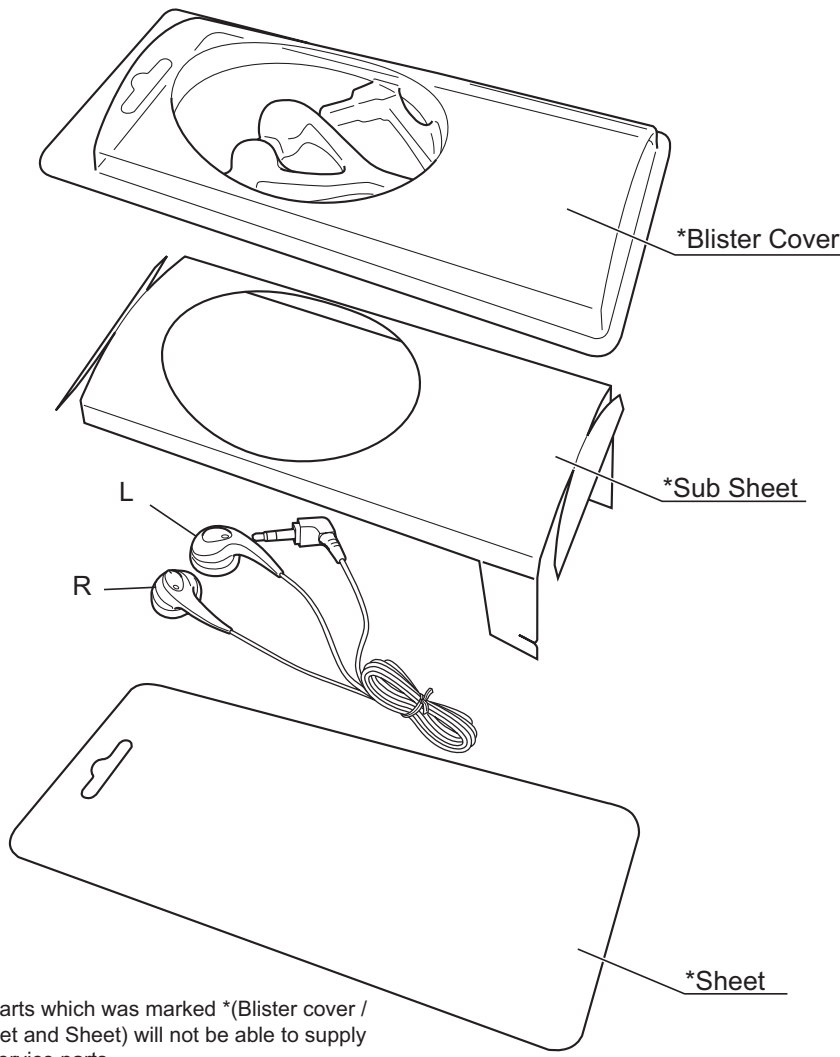


### SPECIFICATION

	HA-F51	HA-F71	HA-F91
Type	Moving coil	Moving coil	Moving coil
Frequency response	16Hz-20,000Hz	16Hz-20,000Hz	16Hz-20,000Hz
Nominal impedance	16 ohms	16 ohms	16 ohms
Sensitivity	104dB/1mW	104dB/1mW	104dB/1mW
Max.input capability	30mW	30mW	30mW
Cord length	1.2m (3.9ft) with stereo miniplug	1.2m (3.9ft) with stereo miniplug	1.2m (3.9ft) with stereo miniplug
Mass	5.5g (0.19oz) without cord 14g (0.5oz) with cord	5.5g (0.19oz) without cord 14g (0.5oz) with cord	5.5g (0.19oz) without cord and control box 15g (0.53oz) with cord and control box
Additional function	-	-	Volume control
Accessory	-	CASE	CASE

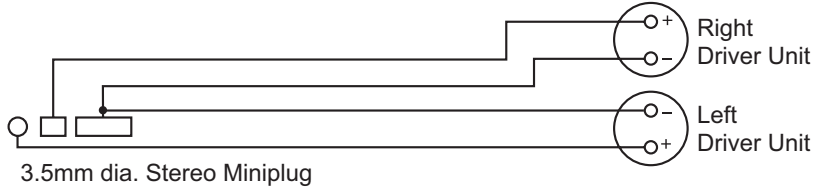
*Design and specifications subject to change without notice.*

### Packing Method (HA-F51)

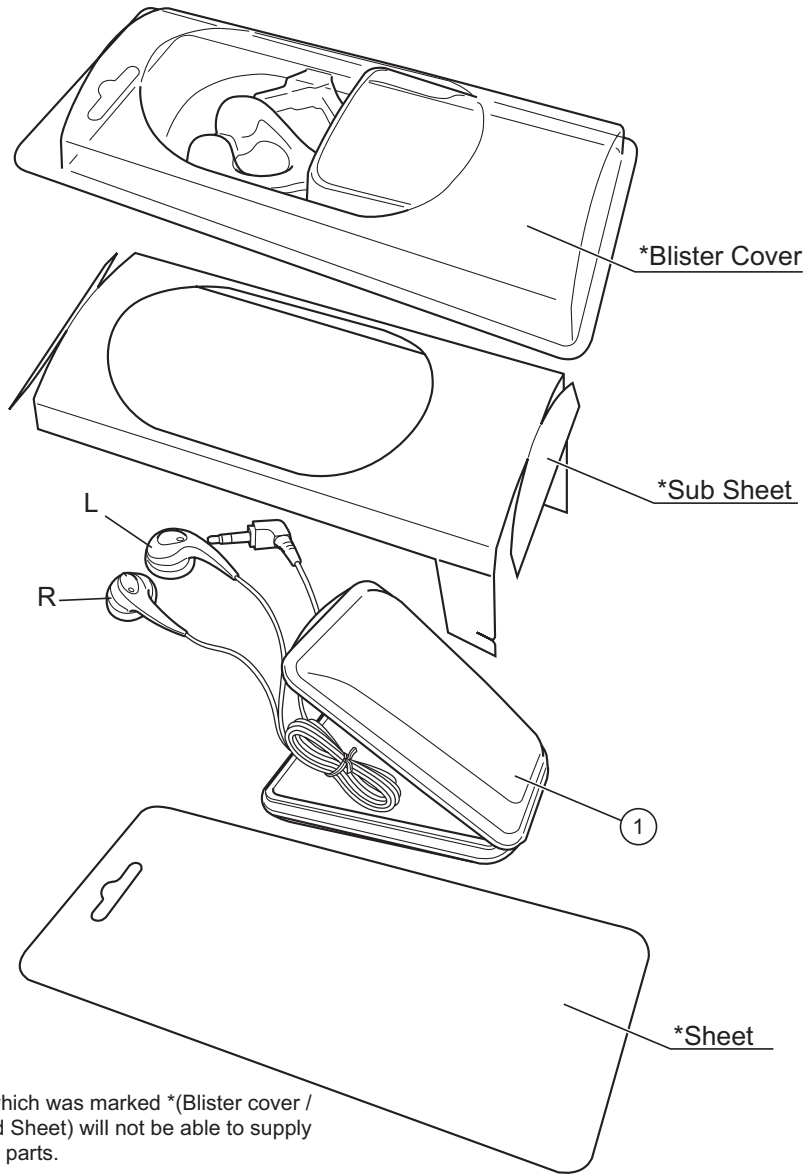


Note : These parts which was marked \*(Blister cover / Sub sheet and Sheet) will not be able to supply as our service parts.

### Wiring Diagram (HA-F51)



## Packing Method (HA-F71)

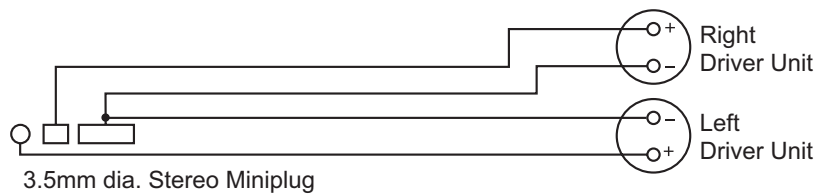


### Packing Materials

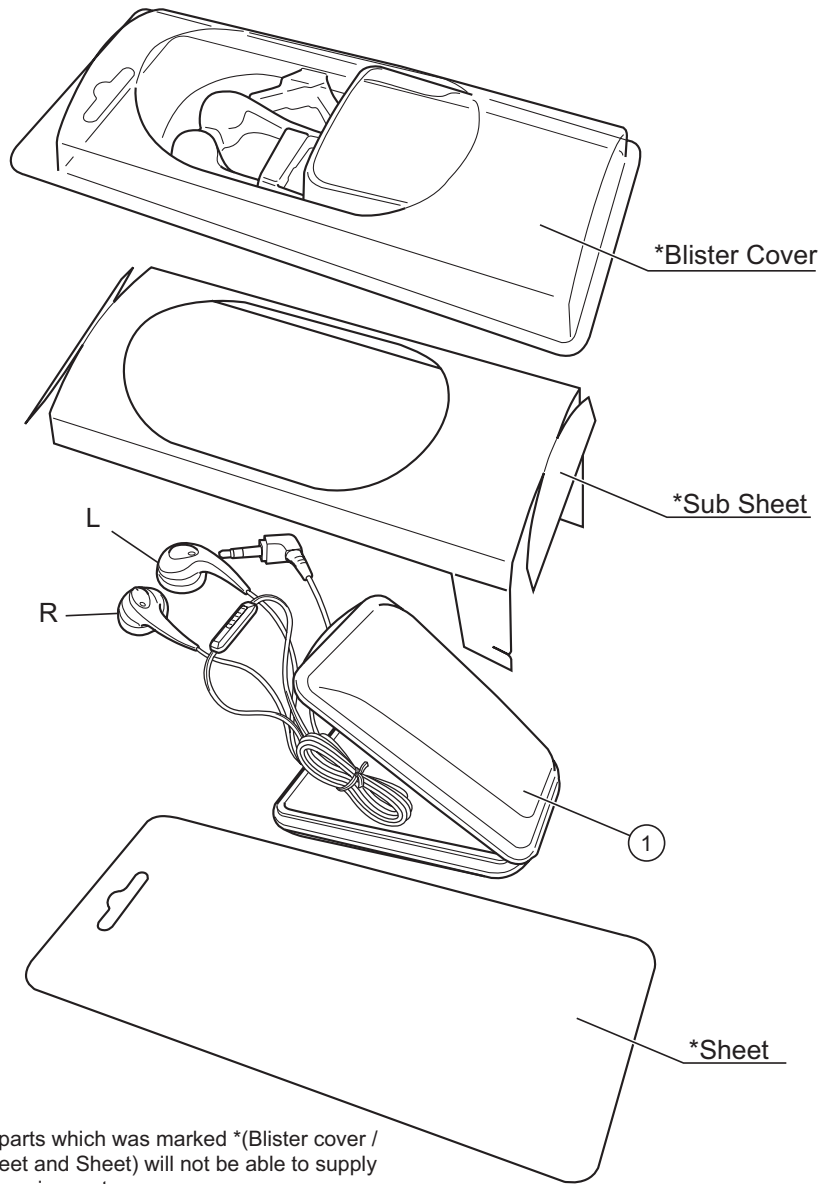
⚠	SYMBOL	PARTS NO.	PARTS NAME	Q'TY	DESCRIPTION
	1	J34148-001	Case	1	

\* Parts marked (⚠) are safety parts. When replacing, be sure to use the specified one.

### Wiring Diagram (HA-F71)



## Packing Method (HA-F91)

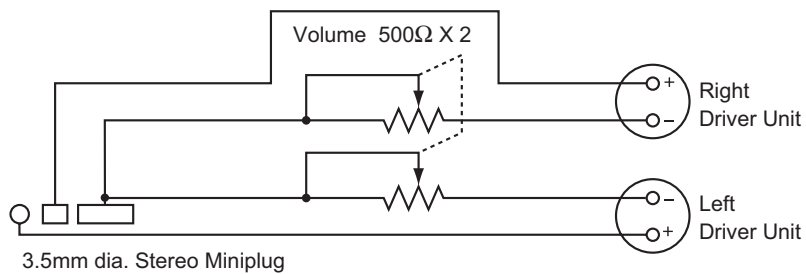


### Packing Materials

△	SYMBOL	PARTS NO.	PARTS NAME	Q'TY	DESCRIPTION
	1	J34148-001	Case	1	

\* Parts marked (△) are safety parts. When replacing, be sure to use the specified one.

### Wiring Diagram (HA-F91)



# JVC

VICTOR COMPANY OF JAPAN, LIMITED  
 AV & MULTIMEDIA COMPANY Accessories Category 1644, Shimotsuruma, Yamato, Kanagawa 242-8514, Japan